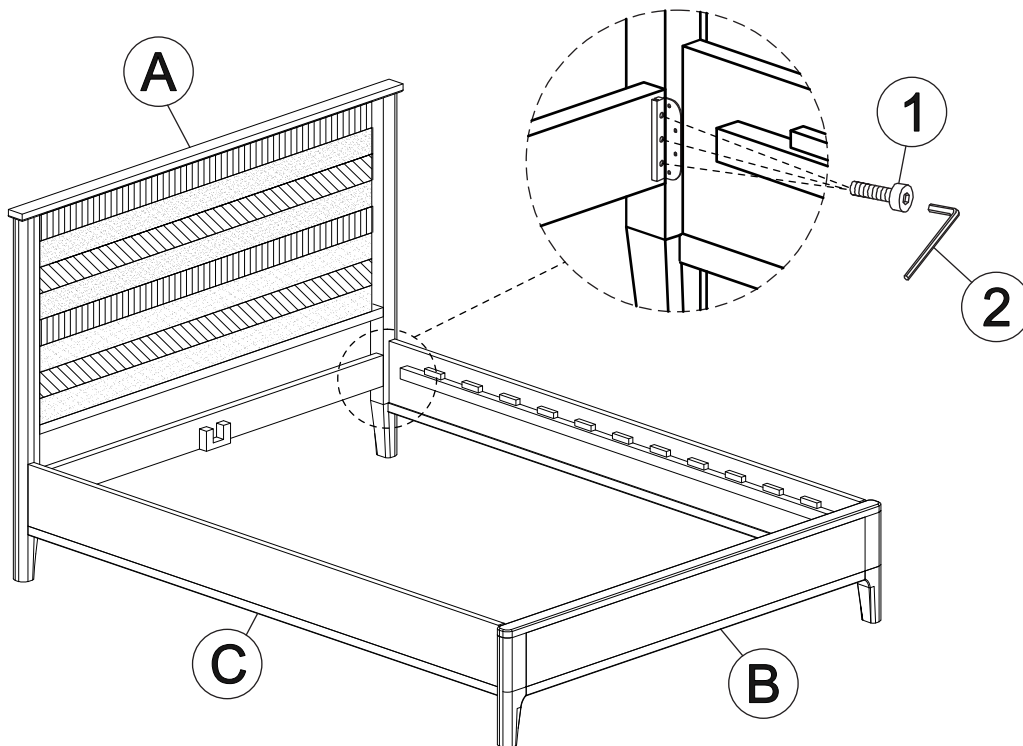


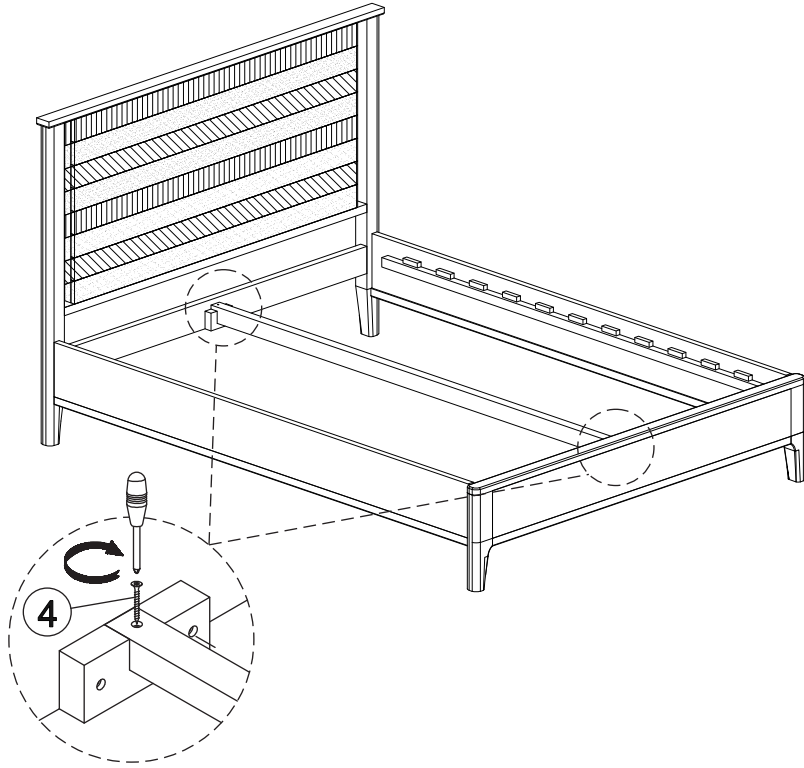
<b>A</b>		x 1
<b>B</b>		x 1
<b>C</b>		x 2
<b>D</b>		x 1
<b>E</b>		x 12

1	2	3	4
M6x10 x 12	K5 x 1	M4x30 x 24	M4x70 x 2

**1**



2



3

